

# 45W FAN MOTOR

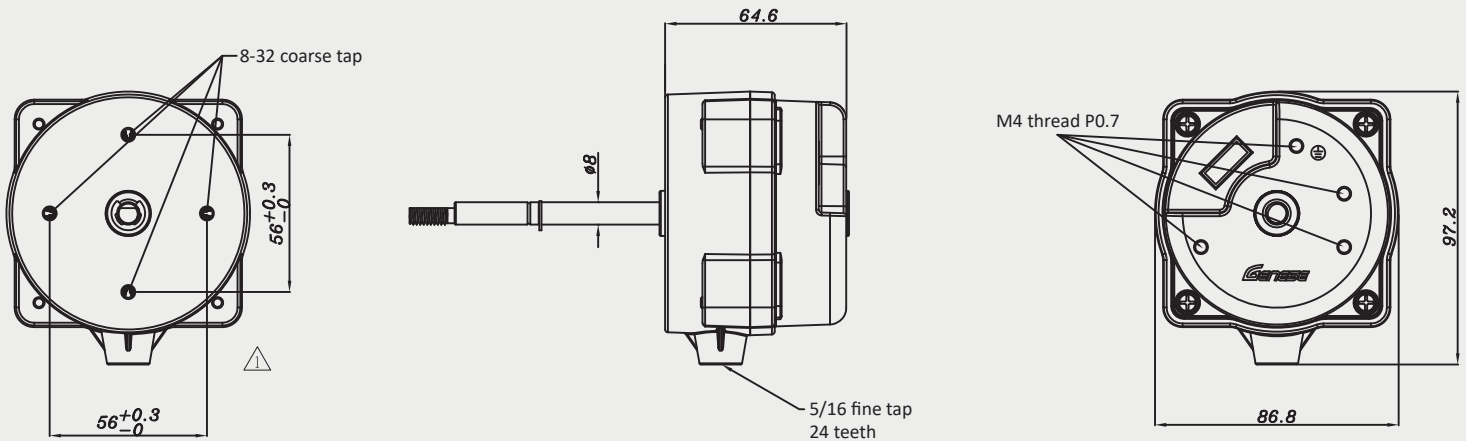
Brushless DC Motor | 310VDC-driven | High Efficiency

# GENESE 45W DOMESTIC FAN MOTOR



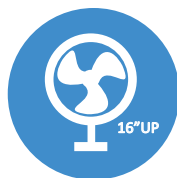
Phase  
Control voltage  
Max. Power  
Max. RPM  
Sensor type  
Insulation  
Max. Torque  
Bearing  
Rotary type

3 phases  
DC310V  
50W (input)  
1400 ±3%  
Sensorless  
Class E  
0.10N-m  
Ball bearing  
Inner rotary



## 310VDC Voltage-driven

Genese fan motors are driven by 310VDC, which is directly rectified from 220VAC input, eliminates the use of DC-DC converter and reduces energy loss by 10-15% as compared to ordinary DC motors.



## Hi-torque for 16" up Fans

With built-in high-voltage-driven controller, Genese fan motors have higher torque than conventional DC motors at same wattage level, making 16" to 18" fans more competitive in the market.



## 5-year Warranty

Genese fan motors are produced by Genese's patented automated production line, provides superior reliability and performance stability, promised with 5-year warranty to prove the premium quality.

## GENESE INTELLIGENT TECHNOLOGY CO., LTD.

TEL: +886-7-788-9880 FAX: +886-7-788-9890  
No.19 Daye St., Da-Fa Industrial Park, Kaohsiung City, Taiwan  
<http://www.genese.com.tw> [service@genese.com.tw](mailto:service@genese.com.tw)





ULTRA QUIET, ULTRA SAVINGS

## FEATURES

Brushless DC motor driven  
 16" 7-blade turbo fan design  
 7-step adjustable speed  
 IR remote control  
 Made in Taiwan  
 Saves 50% more energy than AC motor-driven fans

BLDC motor

Turbo Blades

Motorized Sway

## FUNCTIONS



Motorized sway selection



Nature flow

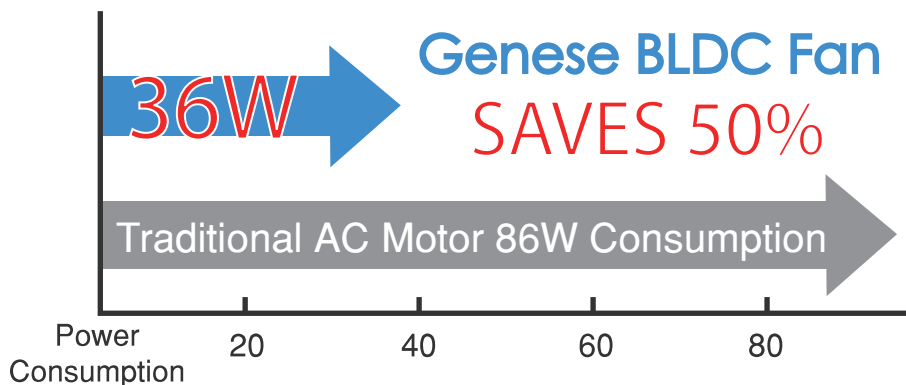


Built-in Night lamp



Time-off settings

## SAVE 50% MORE



## 48% QUIETER

